

SLC-Box Brightness



SLC-Box GPS / Brightness



Description

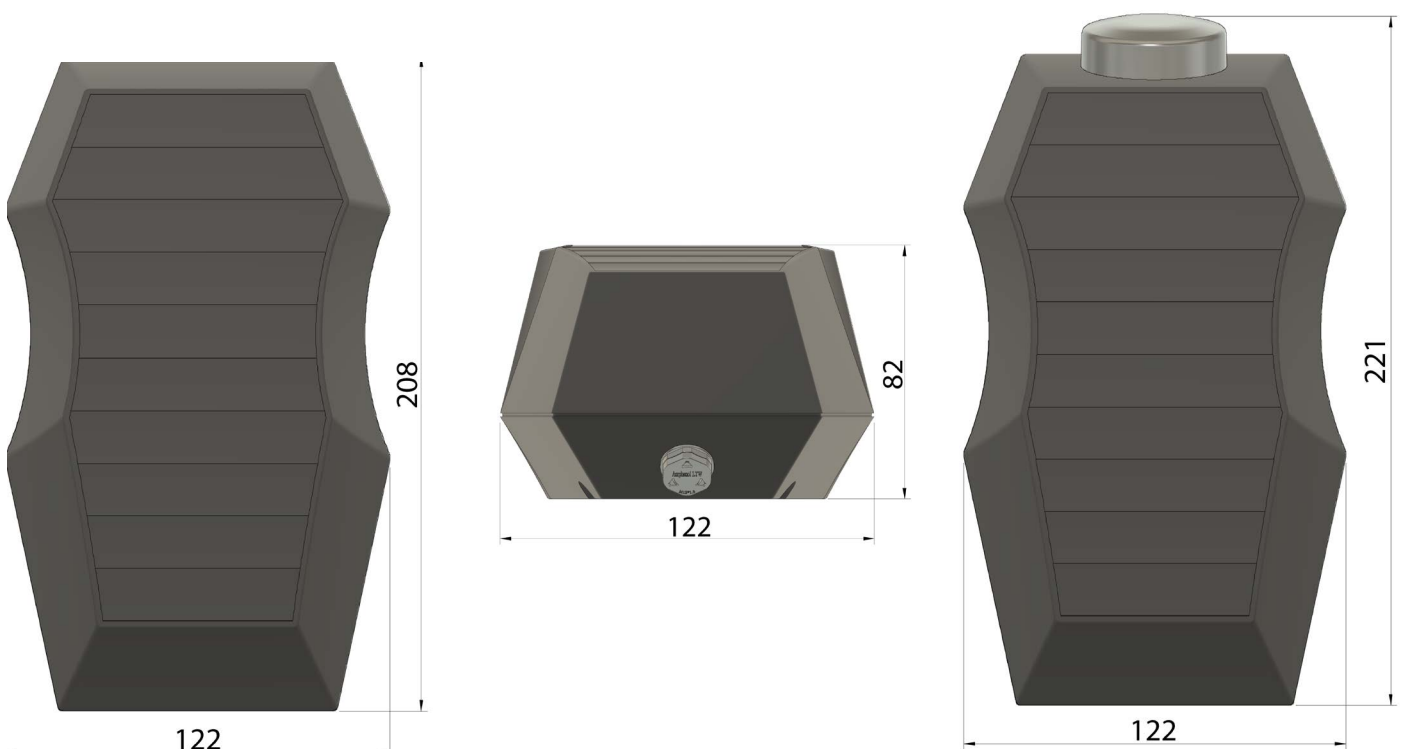
The SLC-Box Brightness is equipped with an SLC-AC Controller, Brightness Sensor and a mast bracket, that allows easy installation in many different situations. Due to the integrated brightness sensor, the light can be switched on or off depending on the set brightness value.

If a customer would like to dim the lights based on times, an SLC-Box GPS / Brightness can be installed to act as a time source. In this case the SL-Gateway, which usually covers this task, can be omitted.

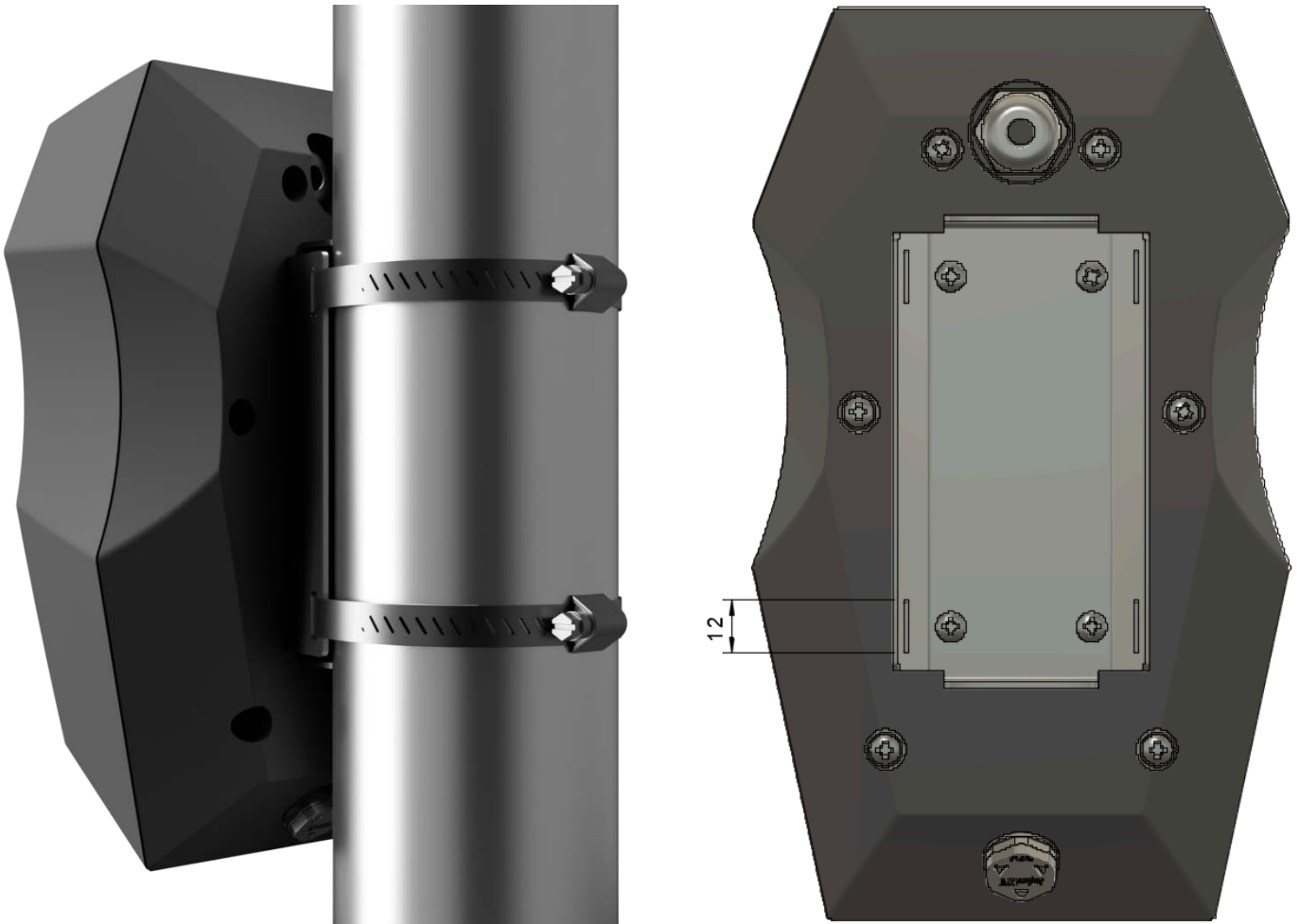
Features

- Switch on or off depending on the Brightness
- GPS option to synchronize the time, and automatically determine the position
- Can be easily combined with a variety of external devices

Dimensions



Installation



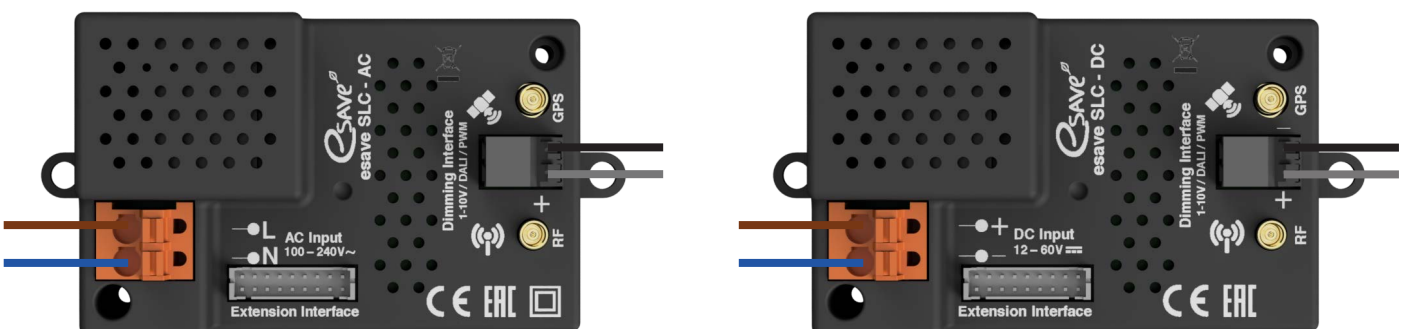
Pole mounting straps

Band Width	max. 12mm
Not included	

Connection cable

Control cable	DIN Unipur 5x 0.75
Article No.	802567
Length freely selectable	

Wiring



Maximum ratings

Parameter	Type	Sym	Min	Max	Unit
Supply Voltage	SLC-AC SLC-AC GPS	V_{in}		240	V AC
	SLC-DC SLC-DC GPS		0	60	V DC
Operating temp.	SLC-AC SLC-AC GPS	T_A	-25	+80	°C
Operating temp.	SLC-DC SLC-DC GPS		-25	+85	°C
Storage temp.	any	T_s	-40	90	°C
Surge / burst input voltage immunity (all connectors)	any	V_{ps}		2.0	kV

Operating characteristics

Parameter	Type	Sym	Min	Typ	Max	Unit
Supply Voltage Range	SLC-AC SLC-AC GPS	V_{in}	100		240	V AC
	SLC-DC SLC-DC GPS		12		60	V DC
Power usage $I_{out} = 0 \text{ mA}$ No sensor or ext. connected ${}^*1V_{Sup} = 230 \text{ V AC}$ ${}^*2V_{Sup} = 12 \text{ V DC}$ ${}^*3V_{Sup} = 24 \text{ V DC}$ ${}^*4V_{Sup} = 40 \text{ V DC}$	SLC-AC	$P_{op}{}^{*1}$		0.43		W
	SLC-AC GPS			0.68		
	SLC-DC	$P_{op}{}^{*2}$		0.22		
	SLC-DC GPS			0.48		
	SLC-DC	$P_{op}{}^{*3}$		0.25		
	SLC-DC GPS			0.52		
	SLC-DC	$P_{op}{}^{*4}$		0.25		
	SLC-DC GPS			0.54		

Wireless characteristics

Parameter	Sym	Min	Typ	Max	Unit
RF frequency range (center frequency)	f_w	2.420		2.480	GHz
RF nominal output power			4.5	8	dBm
Receiver sensitivity			-97	-92	dBm

Ratings and characteristics of the esave PIR5 motion sensor can be found in its datasheet.

Approvals

Category	Declaration / Certificates
CE conformity	CE compliant
Hazardous substances	RoHS compliant: Restriction of Hazardous Substance Directive
Housing flame resistance	UL Recognized Flame Class Rating: UL 94 HB
Electromagnetic compatibility (EMC / ERM)	<ul style="list-style-type: none"> EN 300 328 V2.1.1 (2016-11) EN 301 489-1 V1.9.2:2011 EN 301 489-17 V2.2.1:2012 EN 61000-6-2:2005
Safety	<ul style="list-style-type: none"> EN 62368-1 2014 + AC:2015