

SLC-Box Motion



SLC-Box GPS / Motion



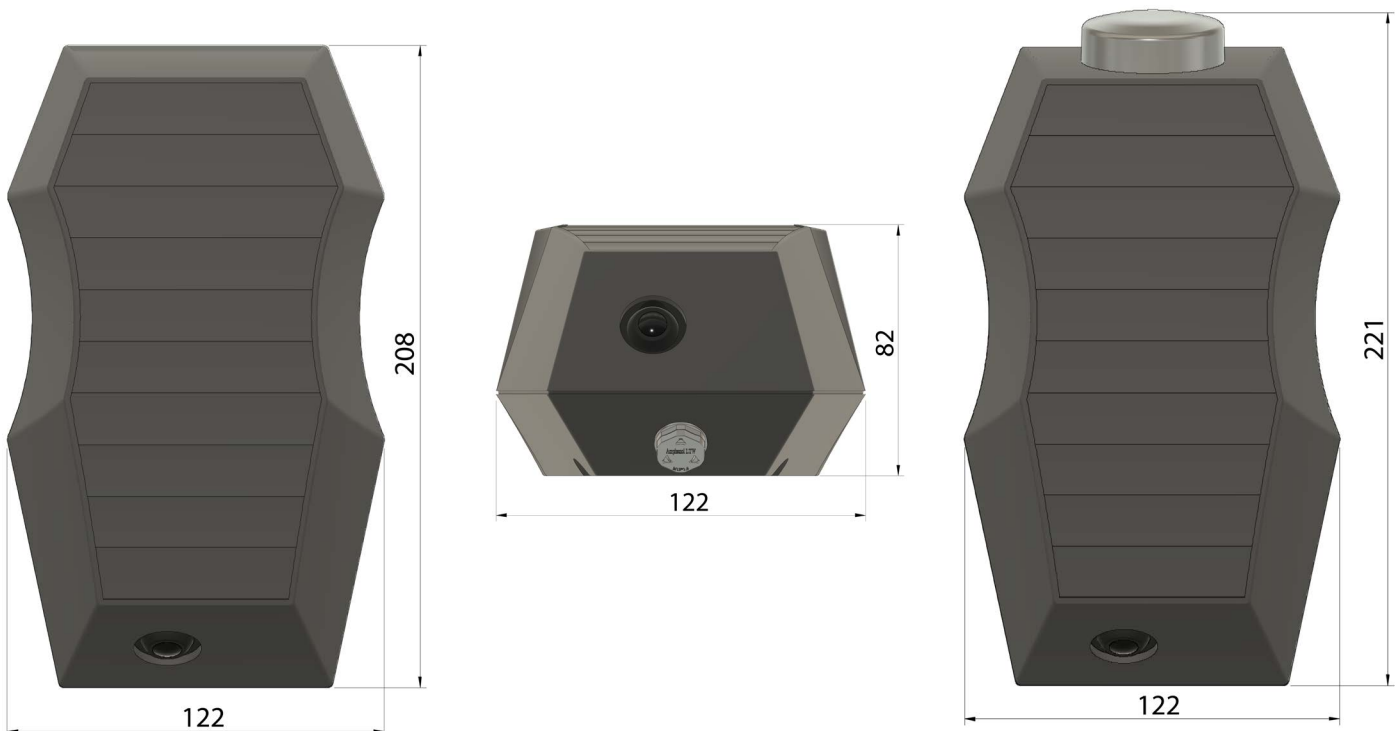
Description

The SLC-Box Motion is equipped with the PIR5 ST or HS sensor and the mast bracket, that allows easy installation in many different situations. The PIR5 motion sensor is based on the passive infrared technology. It detects motions as a result in the differences of the surrounding temperatures: if an object with a temperature that is different from that of the surrounding into the detection area, the sensor reacts.

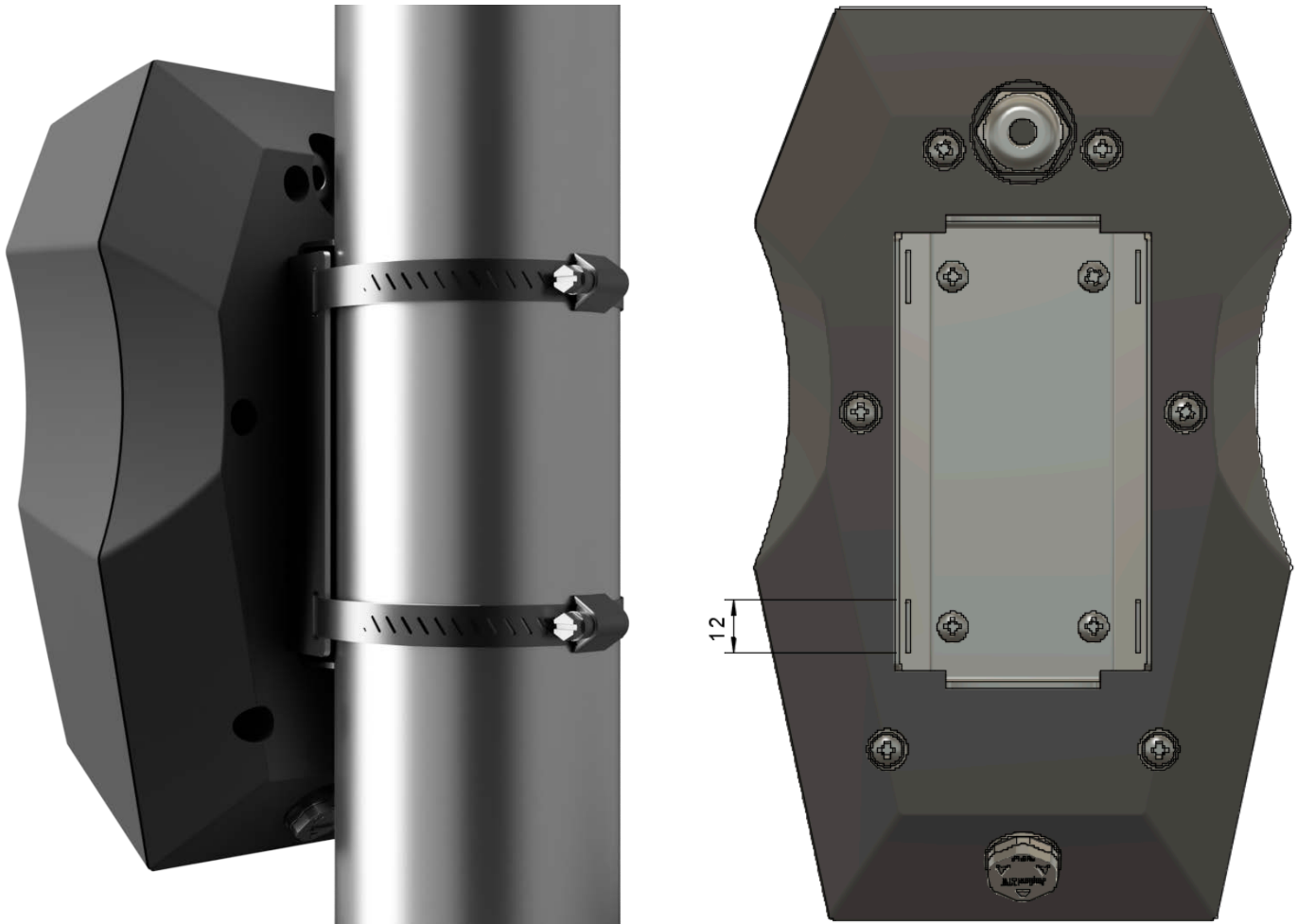
Features

- Detects objects within the distance up to 12m
- Adjustable measuring time, sensitivity and distance
- Low power consumption in operation

Dimensions



Installation



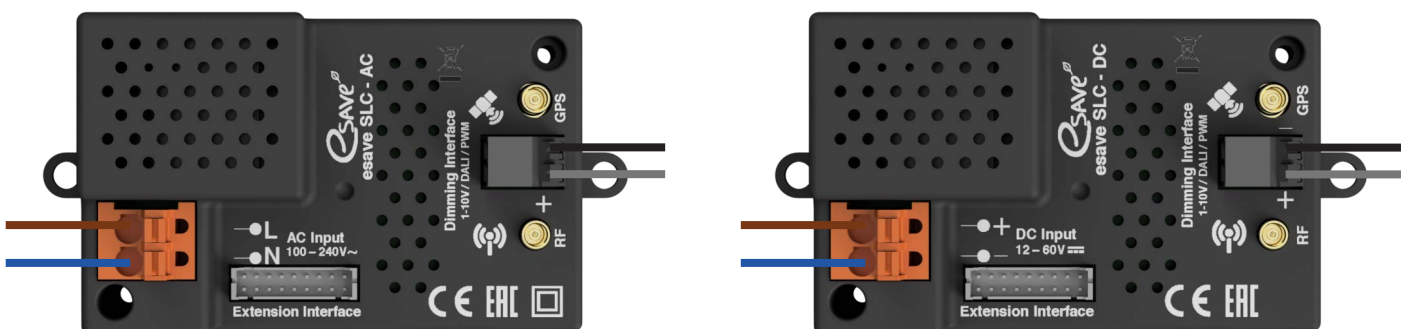
Pole mounting straps

Band Width	max. 12mm
Not included	

Connection cable

Control cable	DIN Unipur 5x 0.75
Article No.	802567
Length freely selectable	

Wiring



Maximum ratings

Parameter	Type	Sym	Min	Max	Unit
Supply Voltage	SLC-AC SLC-AC GPS	V_{in}		240	V AC
	SLC-DC SLC-DC GPS		0	60	V DC
Operating temp.	SLC-AC SLC-AC GPS	T_A	-25	+80	°C
Operating temp.	SLC-DC SLC-DC GPS		-25	+85	°C
Storage temp.	any	T_s	-40	90	°C
Surge / burst input voltage immunity (all connectors)	any	V_{ps}		2.0	kV

Operating characteristics

Parameter	Type	Sym	Min	Typ	Max	Unit
Supply Voltage Range	SLC-AC SLC-AC GPS	V_{in}	100		240	V AC
	SLC-DC SLC-DC GPS		12		60	V DC
Power usage $I_{out} = 0$ mA No sensor or ext. connected *1 $V_{Sup} = 230$ V AC *2 $V_{Sup} = 12$ V DC *3 $V_{Sup} = 24$ V DC *4 $V_{Sup} = 40$ V DC	SLC-AC	P_{op}^{*1}		0.43		W
	SLC-AC GPS			0.68		
	SLC-DC	P_{op}^{*2}		0.22		
	SLC-DC GPS			0.48		
	SLC-DC	P_{op}^{*3}		0.25		
	SLC-DC GPS			0.52		
	SLC-DC	P_{op}^{*4}		0.25		
SLC-DC GPS			0.54			

Wireless characteristics

Parameter	Sym	Min	Typ	Max	Unit
RF frequency range (center frequency)	f_w	2.420		2.480	GHz
RF nominal output power			4.5	8	dBm
Receiver sensitivity			-97	-92	dBm

Ratings and characteristics of the esave PIR5 motion sensor can be found in its datasheet.

Approvals

Category	Declaration / Certificates
CE conformity	CE compliant
Hazardous substances	RoHS compliant: Restriction of Hazardous Substance Directive
Housing flame resistance	UL Recognized Flame Class Rating: UL 94 HB
Electromagnetic compatibility (EMC / ERM)	<ul style="list-style-type: none"> EN 300 328 V2.1.1 (2016-11) EN 301 489-1 V1.9.2:2011 EN 301 489-17 V2.2.1:2012 EN 61000-6-2:2005
Safety	<ul style="list-style-type: none"> EN 62368-1 2014 + AC:2015