

SLC-Box Relais



SLC-Box Relais / GPS



Description

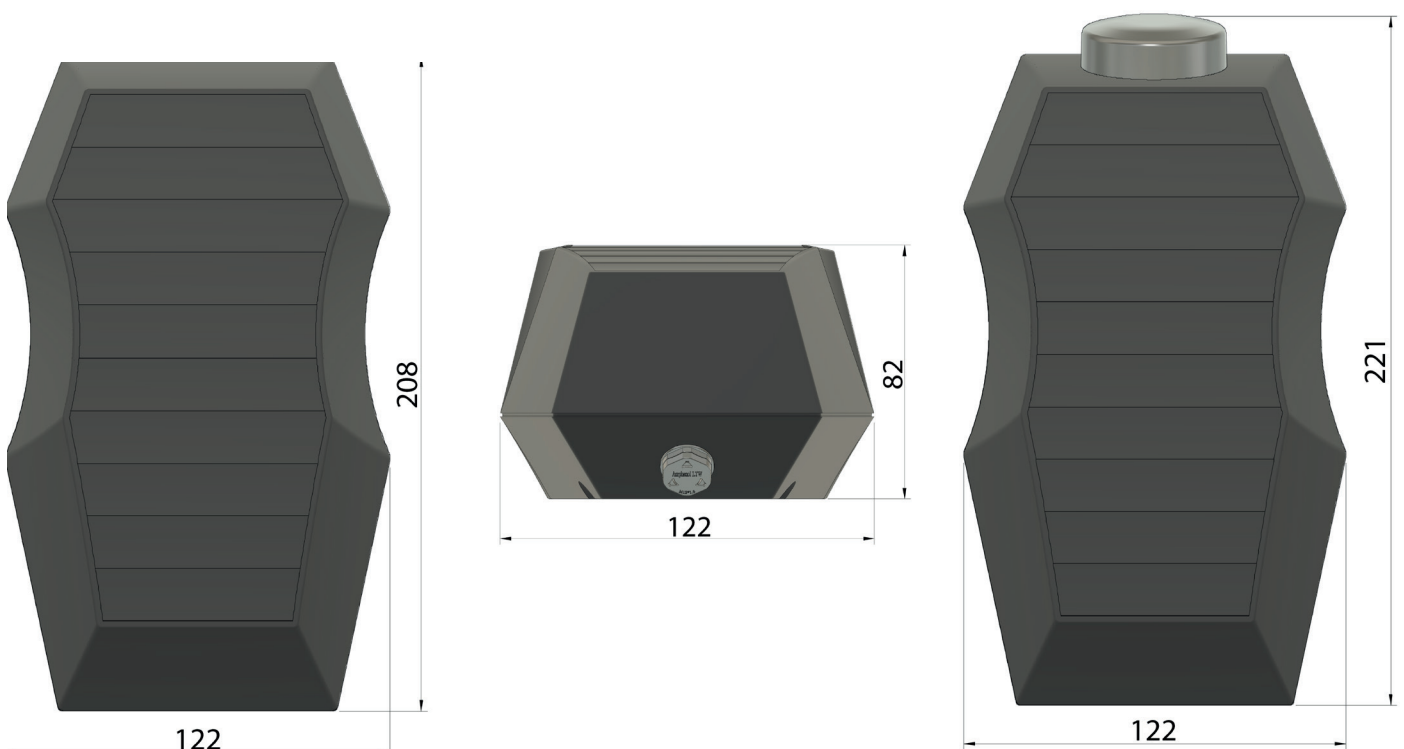
The SLC-Box is equipped with an SLC-AC Controller and a mast bracket, that allows easy installation in many different situations. If there is a large distance between two street lights, an SLC-Box can be used as a repeater to connect both networks with each other.

If a customer would like to dim the lights based on times, an SLC-Box GPS can be installed to act as a time source. In this case the SL-Gateway, which usually covers this task, can be omitted.

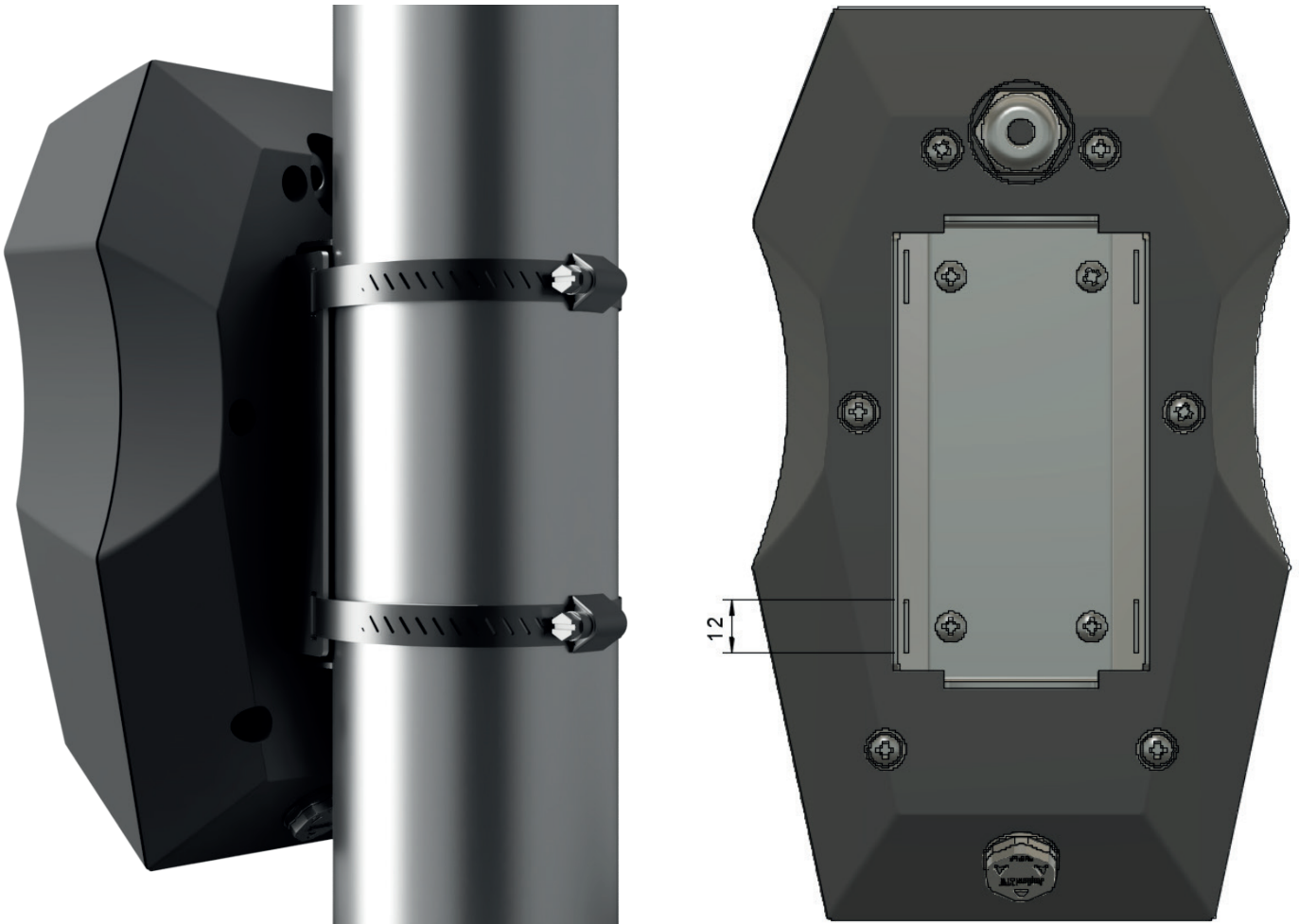
Features

- Large transmission paths can be bridged, leading to a better network performance
- GPS option to synchronize the time, and automatically determine the position
- Can be easily combined with a variety of external devices

Dimensions



Installation



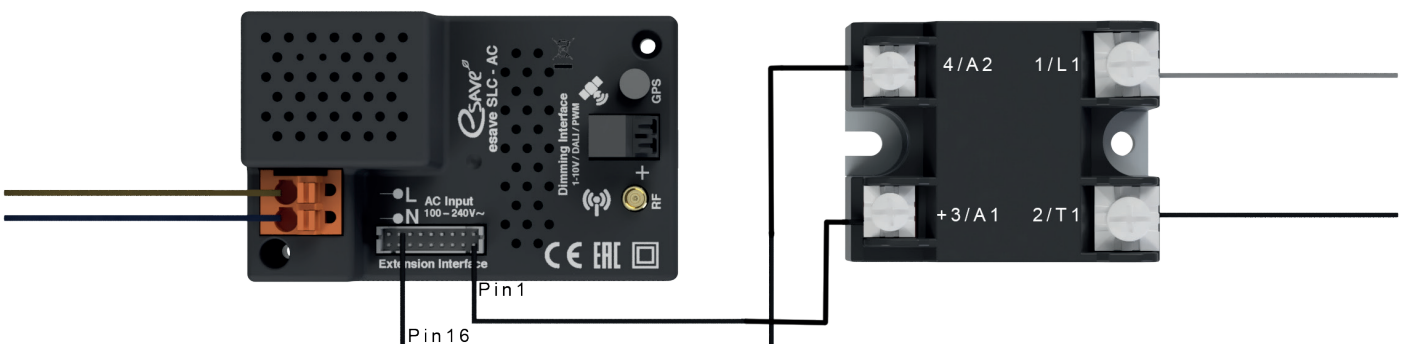
Pole mounting straps

Band Width	max. 12mm
Not included	

Connection cable

Control cable	DIN Unipur 5x 0.75
Article No.	802567
Length freely selectable	

Wiring



Maximum ratings

Parameter	Sym	Min	Max	Unit
Supply Voltage	V_{in}		240	V AC
Operating Temp.	T_A	-25	+80	°C
Storage Temp.	T_S	-25	+90	°C
Surge / burst input voltage immunity	V_{ps}		2.0	kV

Operating characteristics

Parameter	Sym	Min	Typ	Max	Unit
Supply Voltage Range	V_{in}	100		240	V AC
Power usage $I_{out} = 0mA$ $V_{Sup} = 230 V AC$	P_{op}		0.43		W

Wireless characteristics

Parameter	Sym	Min	Typ	Max	Unit
RF frequency range (center frequency)	f_w	2.420		2.480	GHz
RF nominal output power			4.5	8	dBm
Receiver sensitivity			-97	-92	dBm

Approvals

Category	Declaration / Certificates
CE conformity	CE compliant
Hazardous substances	RoHS compliant: Restriction of Hazardous Substance Directive
Housing	Polycarbonate, RAL 9005 (deep black), UV-stabilized, IP66
Housing flame resistance	UL Recognized Flame Class Rating: UL 94 HB
Electromagnetic compatibility (EMC / ERM)	<ul style="list-style-type: none"> EN 300 328 V2.1.1 (2016-11) EN 301 489-1 V1.9.2 : 2011 EN 301 489-17 V2.2.1 : 2012 EN 61000-6-2 : 2005
Safety	<ul style="list-style-type: none"> EN 62368-1 2014 + AC : 2015